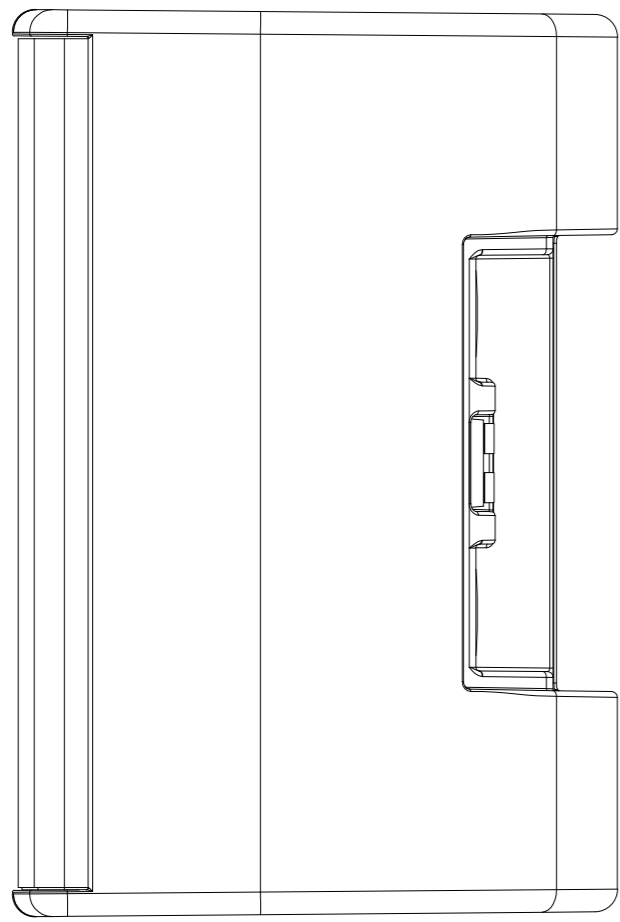
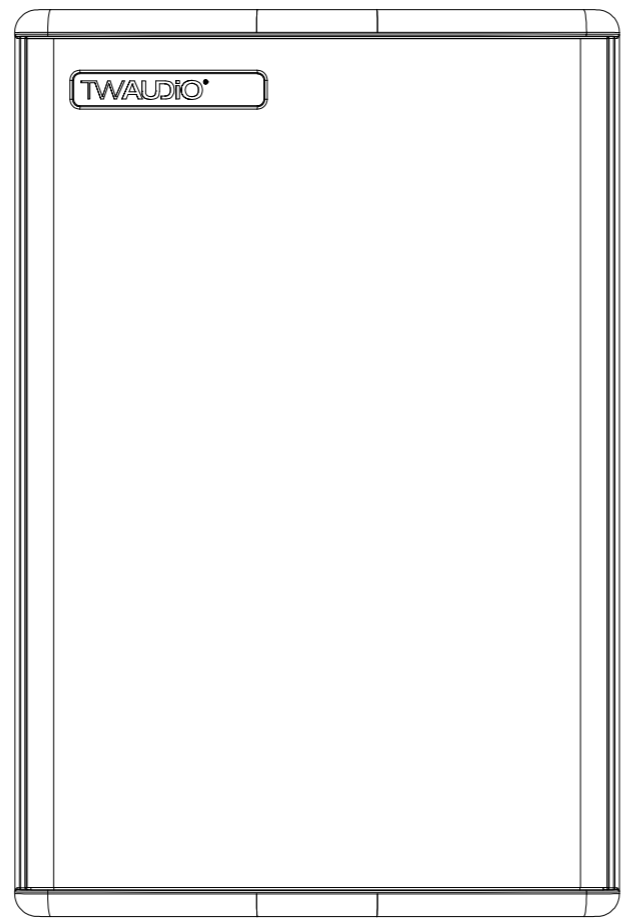


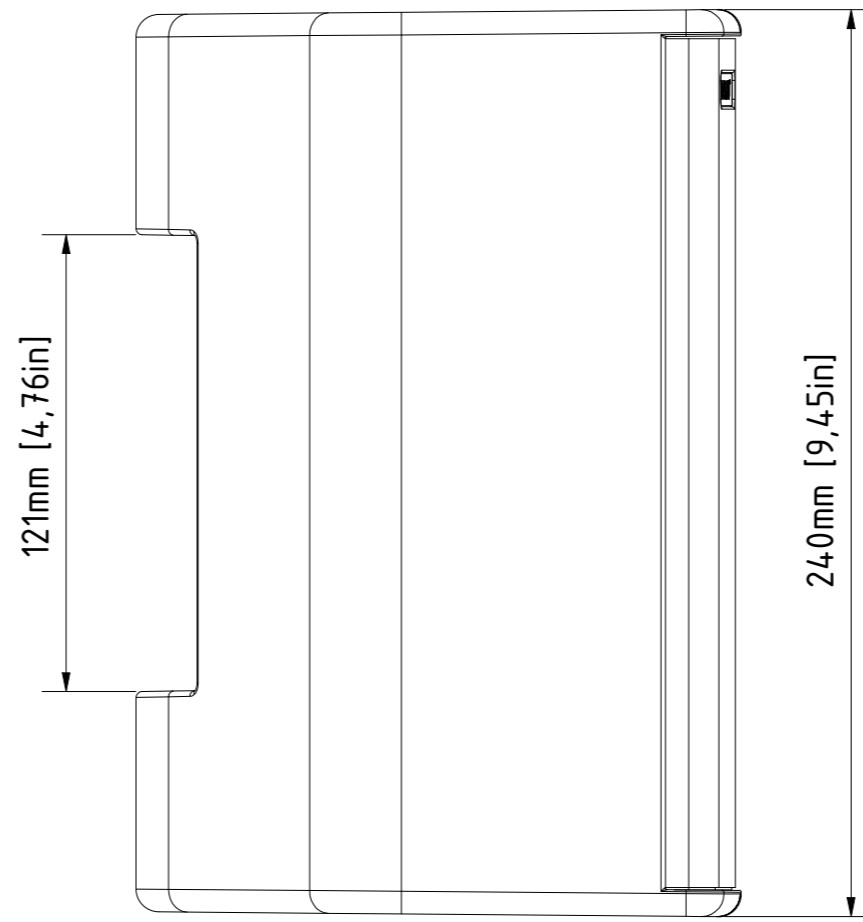
bottom view



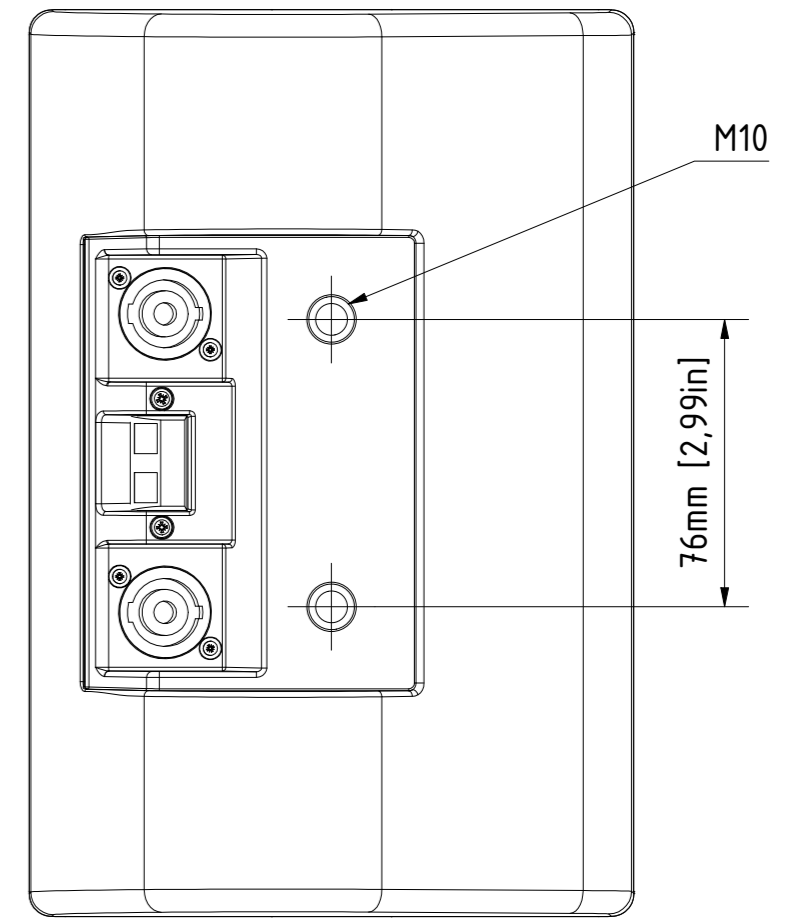
right view



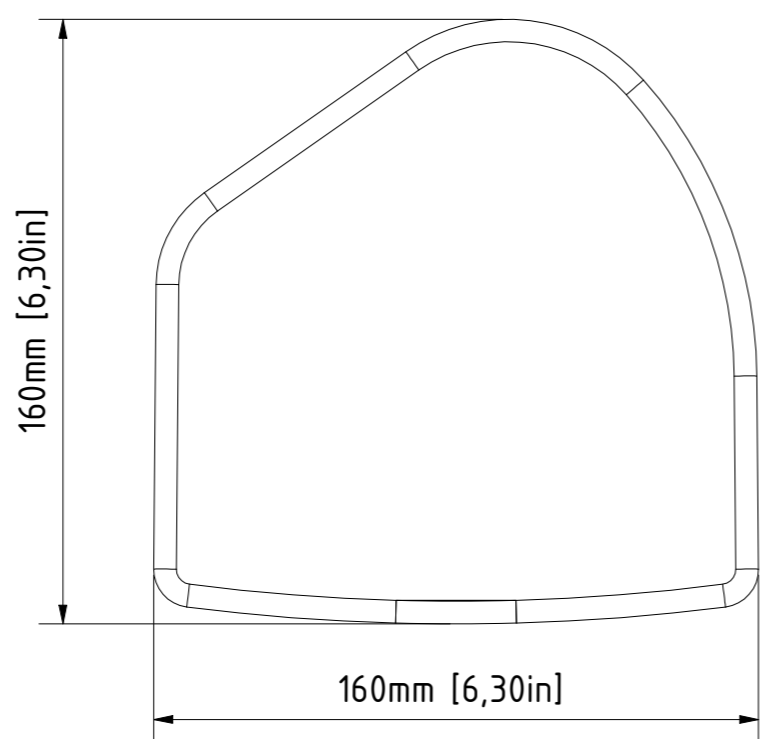
front view



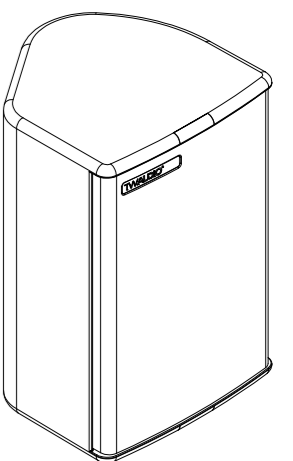
left view



rear view



top view



0		06.05.2019	Heike Konrad
rev. no.		date	modified by
revision process			
<b>TWAUDIO</b> Osterholzallee 140-2 71636 Ludwigsburg www.twaudio.de		scale: weight: 3,9 kg [9 lbs]	order number: 2569
All rights to this drawing reserved in accordance with ISO 16016. Copying and distribution by manufacturer's permission only.		document type: overview drawing status type: released	type: C5
general tolerance ISO 2768-mK ISO 13920-BF ISO 9013-IIA/K according to ISO 8015	edges according to ISO 13715 surfaces (Ra) array 2 array 3 according to ISO 1302	date: 25.11.2014 name: B. Letzgas date: 05.02.2015 name: B. Letzgas	drawing number: TWA-C5-0001
		checked: 06.05.2019 approved: Heike Konrad	revision no.: 0 sheet: 1 of 1 Az
C:\CAD\TWAUDIO\CAD-Daten\Produkte\CS\C5.iam			